



A DIVISION OF PIPP MOBILE STORAGE SYSTEMS, INC.

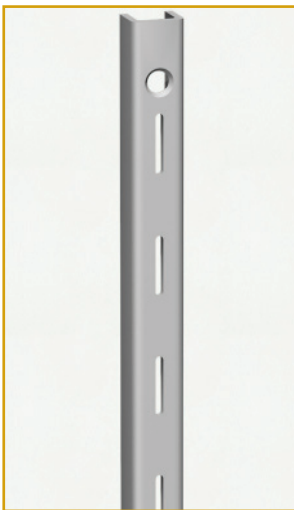
2966 Wilson Drive NW
Walker, MI 49534
P 800-521-9334
F 616-791-9916
www.denstor.com

Perimeter Hardware

Perimeter Hardware provides storage solutions for the walls of your stockroom, making them an effective use of space. We carry a comprehensive selection of wall standards and brackets; notably, the superior heavy duty line which holds significant weights for substantial loads. The perimeter hardware product line offers several accessories including hangbars, brackets, arm hooks, particle board and melamine shelving (available in custom sizes and finishes). Expand your storage space with our extensive line of perimeter hardware for your hanging, folded or miscellaneous requirements.

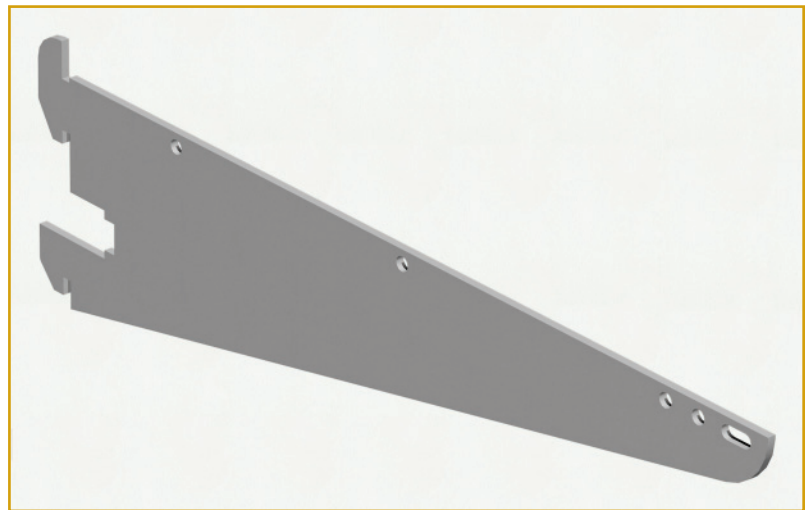


Standards and Brackets



Heavy Duty Standard

Single Slotted; 1" Slots - 2" O.C.
Material: 1/8" Thick Steel - Finish: Zinc



Shelf and Hangbar Bracket

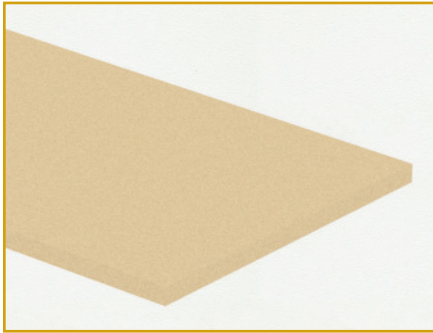
Standard Sizes: 12", 14", 16", 18" and 24" (other sizes available)
Material: 11 GA Steel - Finish: Zinc



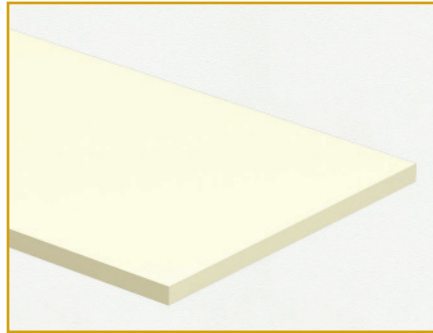
A DIVISION OF PIPP MOBILE STORAGE SYSTEMS, INC.

2966 Wilson Drive NW
Walker, MI 49534
P 800-521-9334
F 616-791-9916
www.denstor.com

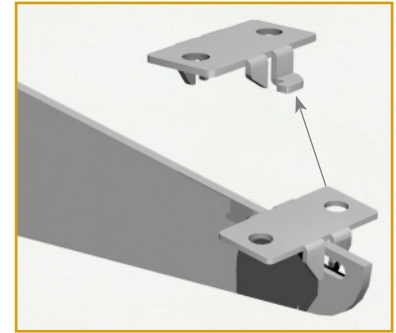
Shelving Parts and Accessories



Particle Board Shelf
5/8" Thick

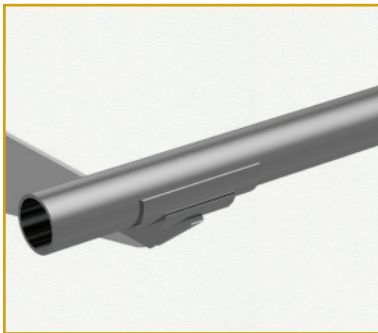


White Melamine Shelf
5/8" Thick



Shelf Rest
Material: 16 GA Steel - Finish: Zinc

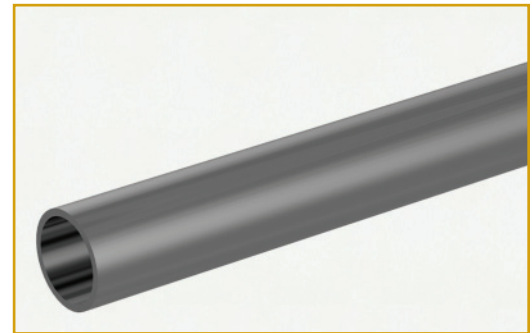
Hangbar Parts and Accessories



Hangbar and Adapter



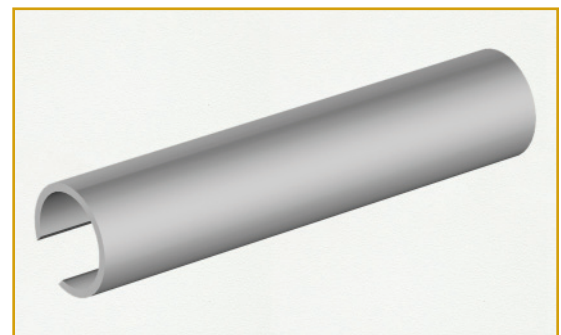
Hangbar Adapter
Finish: Chrome



Heavy Duty Hangbar
1-1/16" Diameter
Material: 14 GA - Finish: Chrome



Hangbar End Cap
Finish: Chrome



Hangbar Splicer
Finish: Zinc